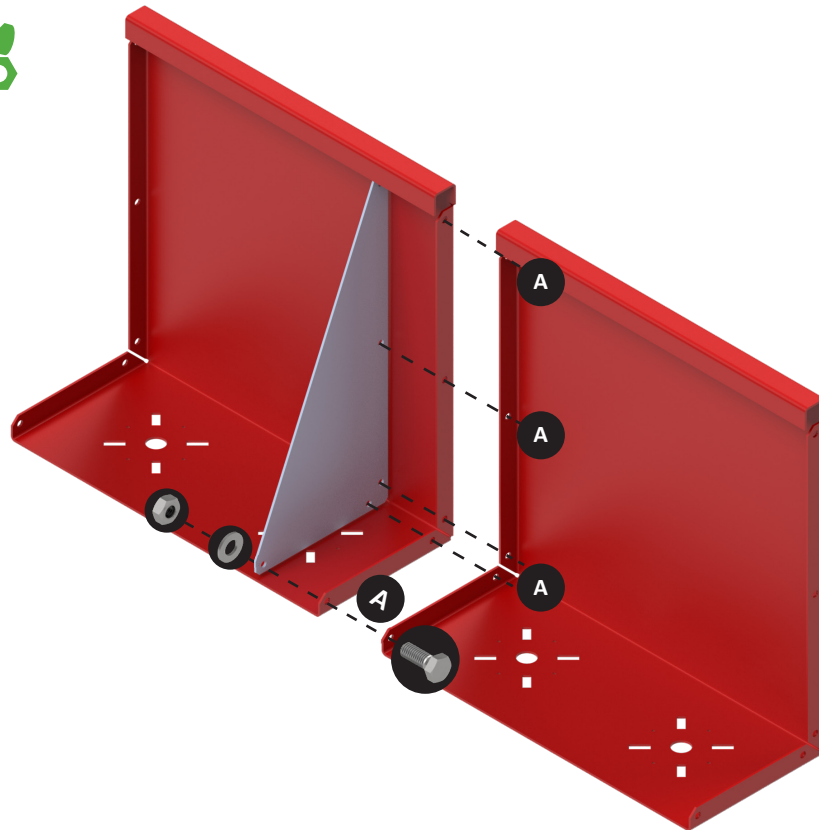


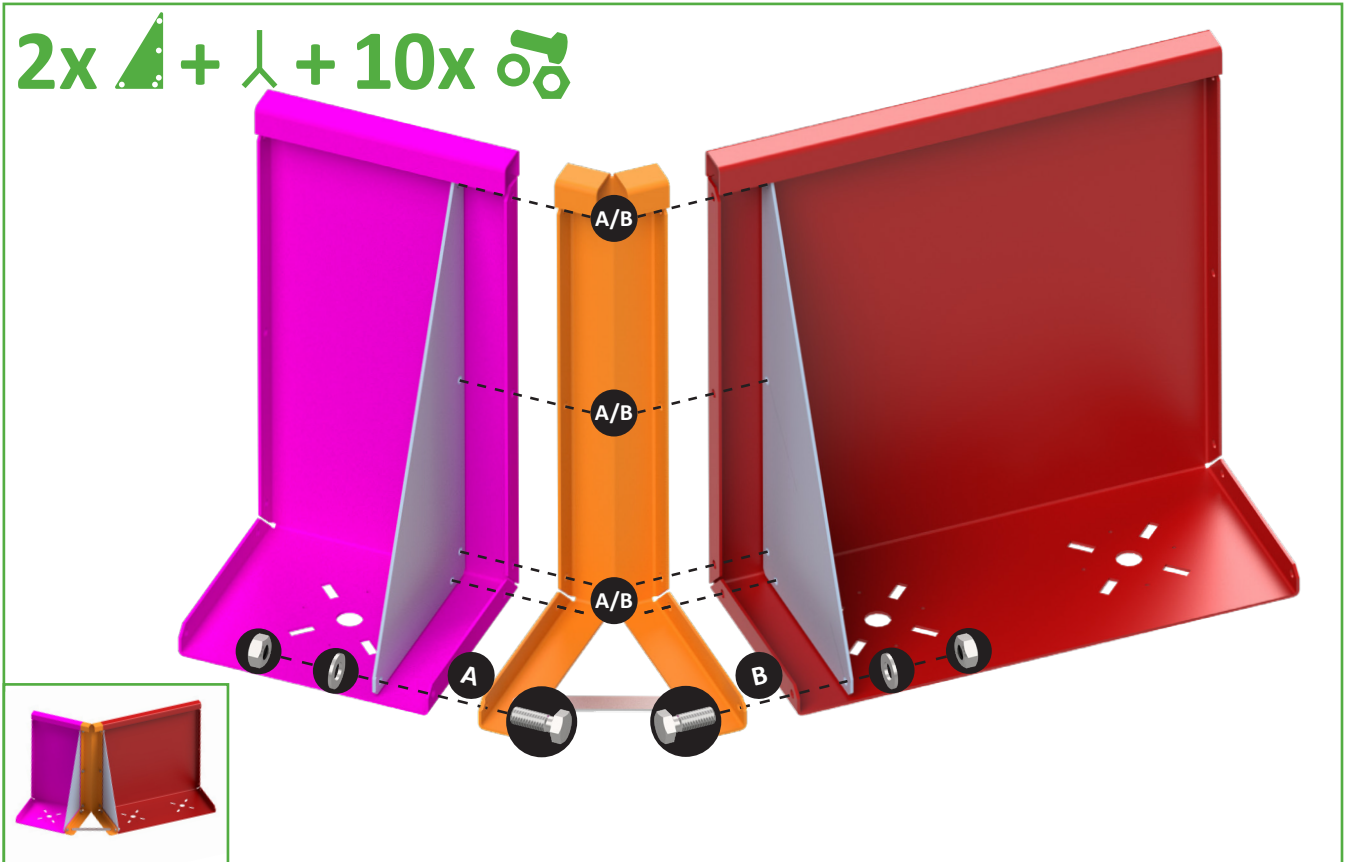
+ 5x 





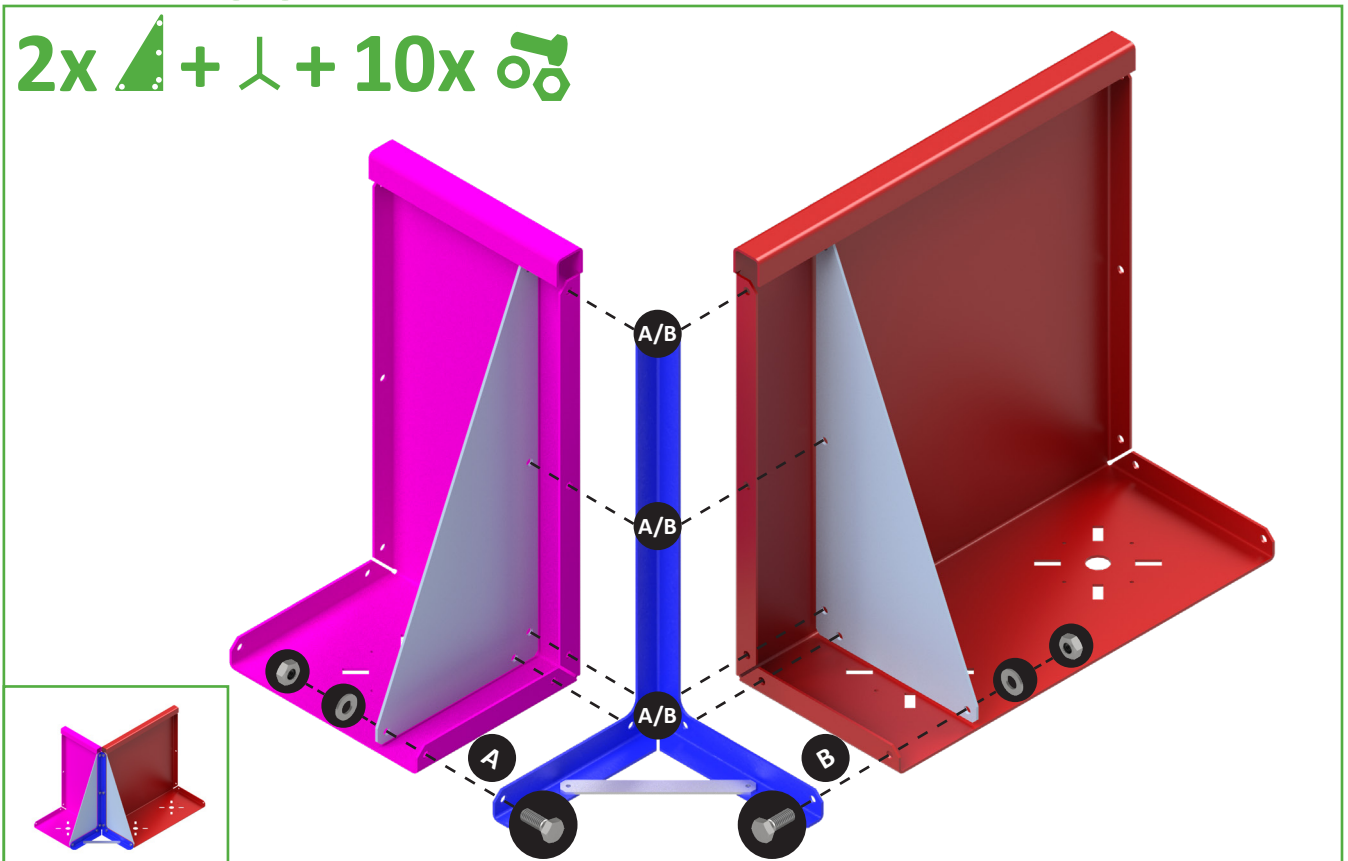
 ↷ 135°

2x  +  + 10x 



 ↷ 90°

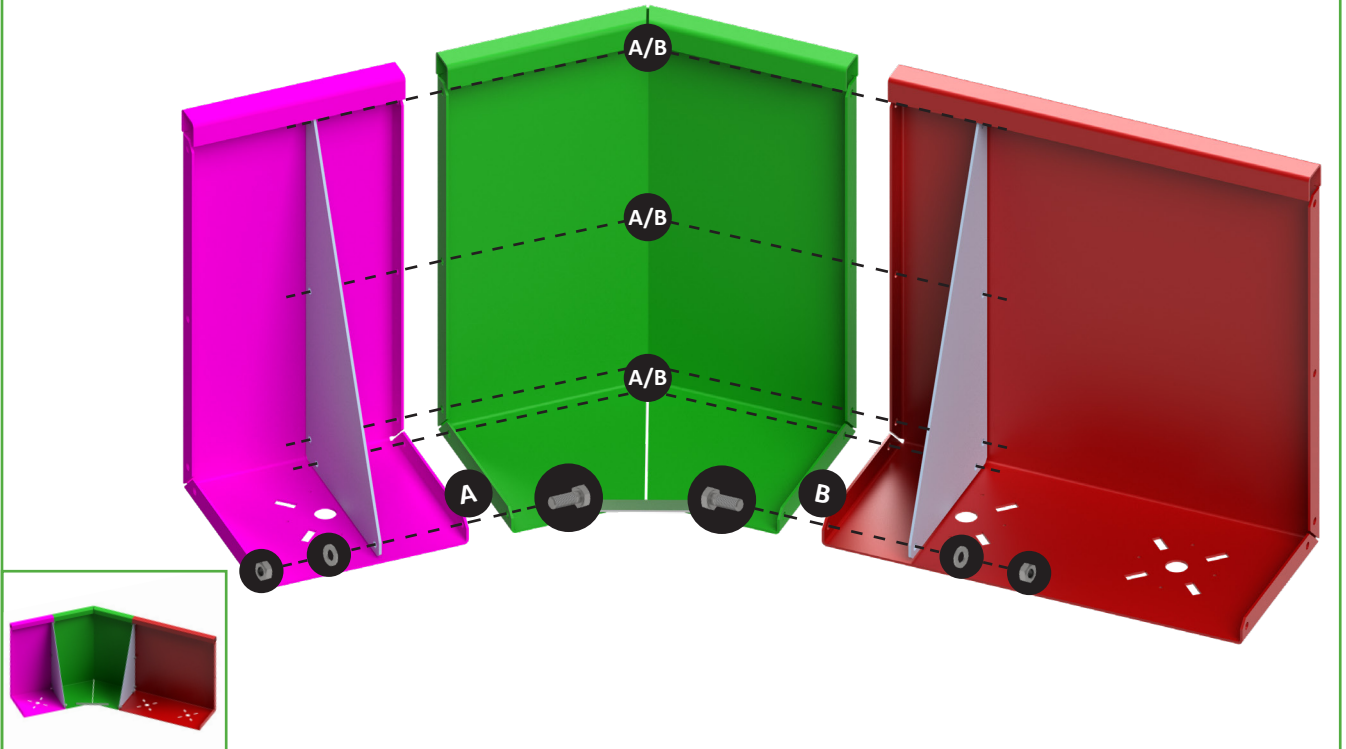
2x  +  + 10x 





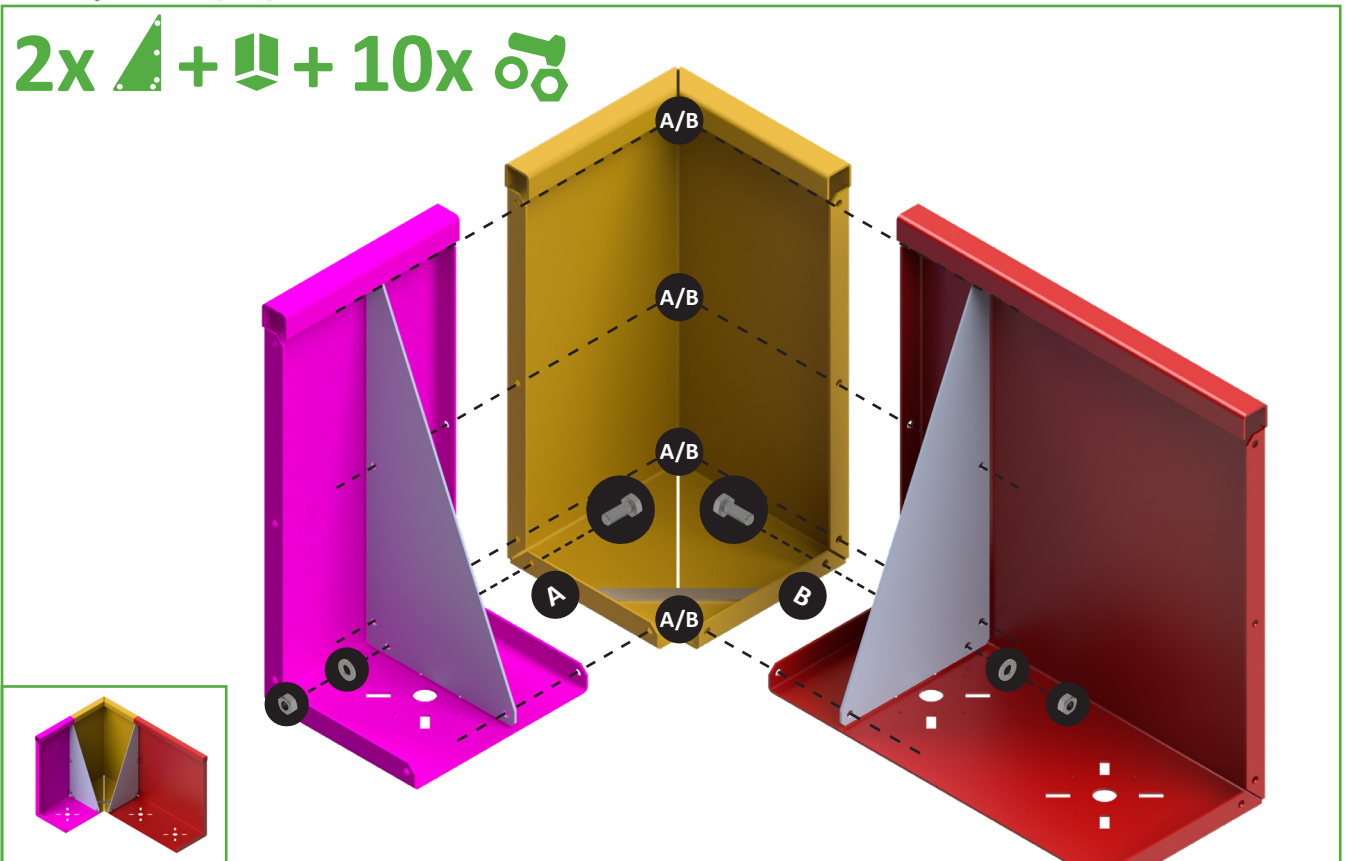
$\angle 135^\circ$

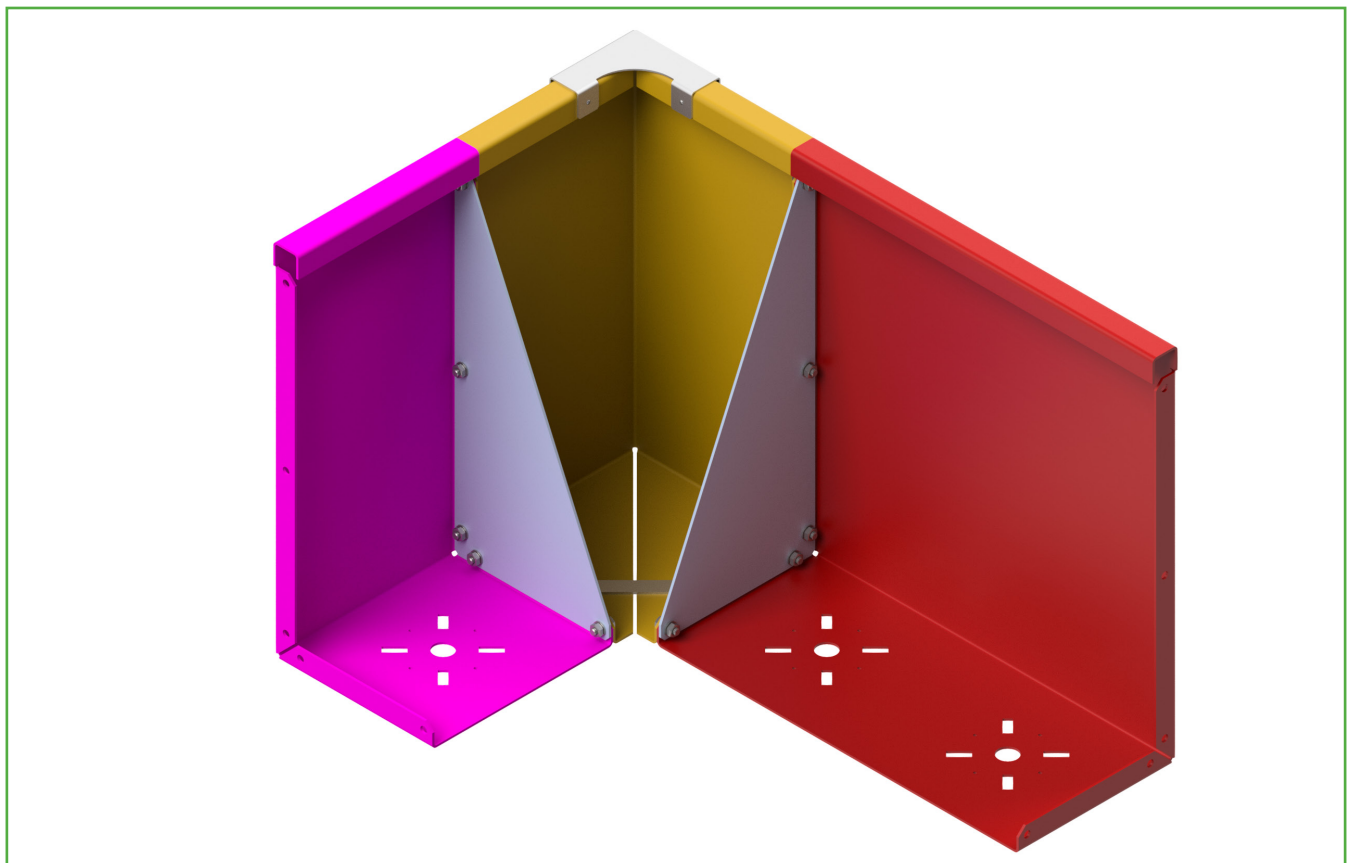
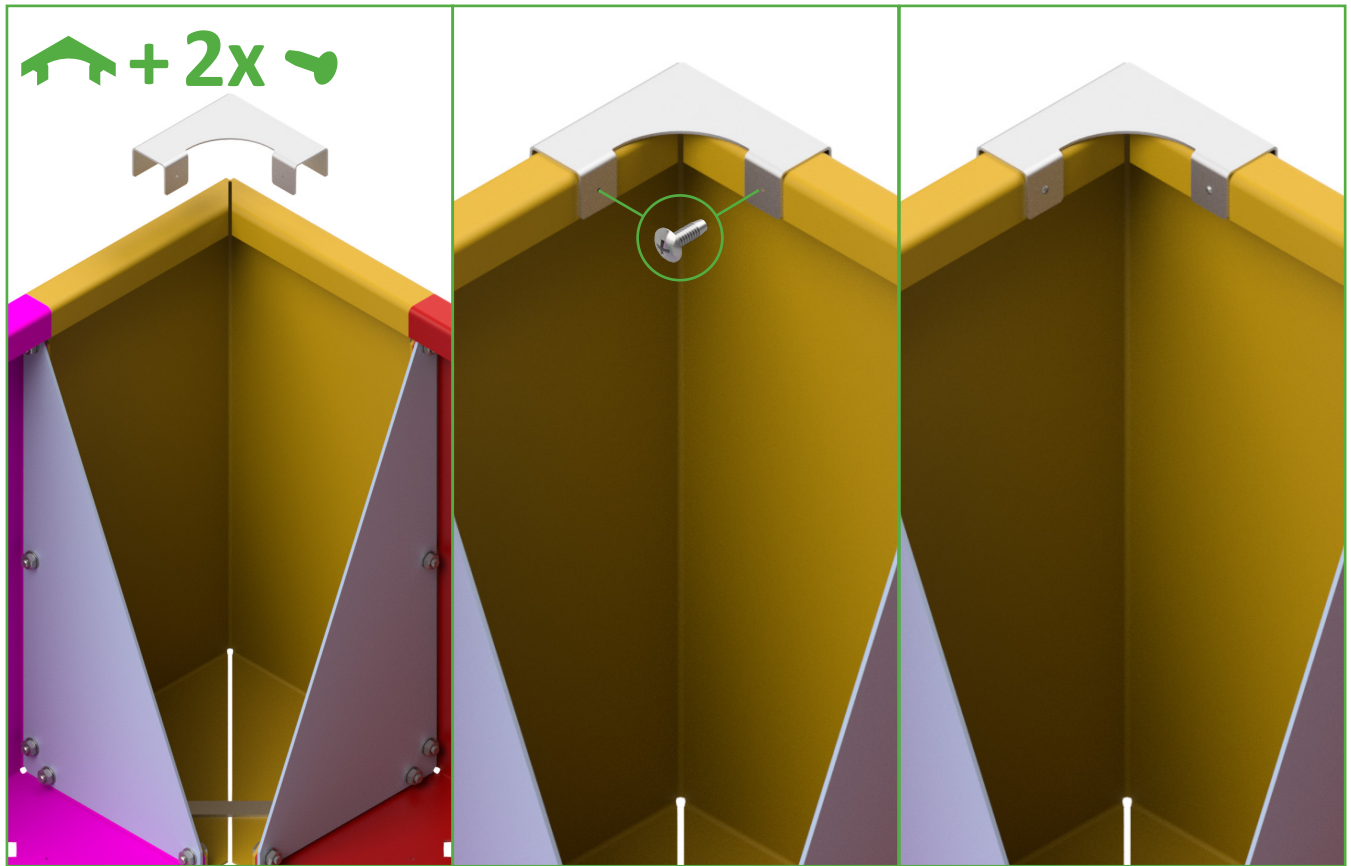
2x + + 10x

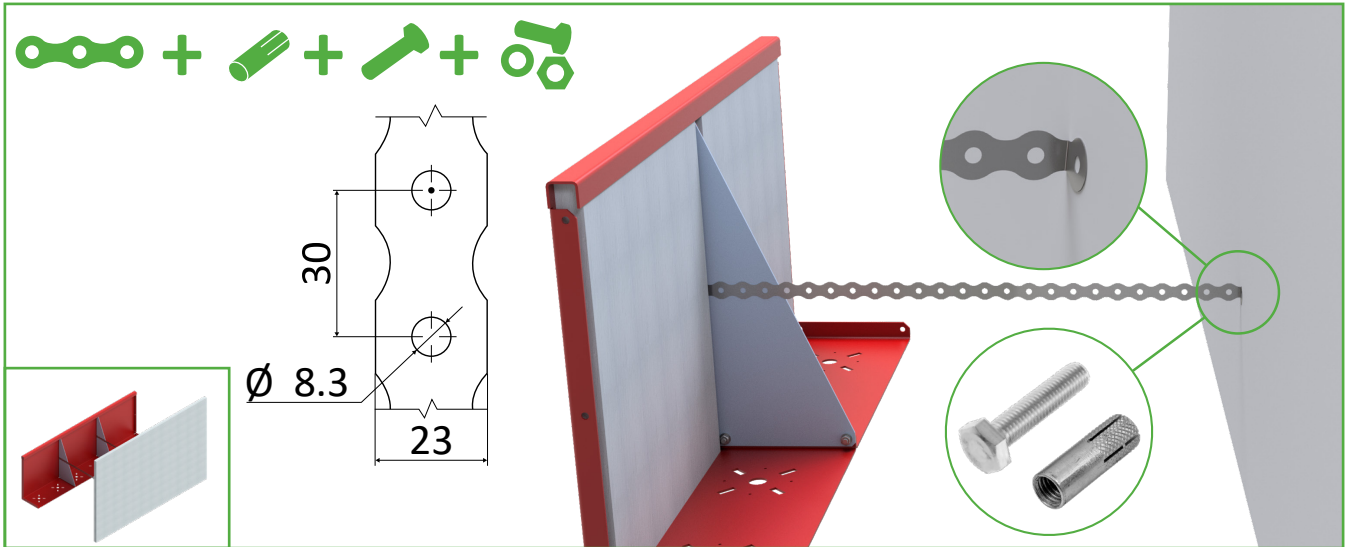
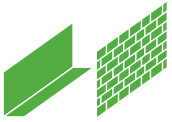


$\angle 90^\circ$

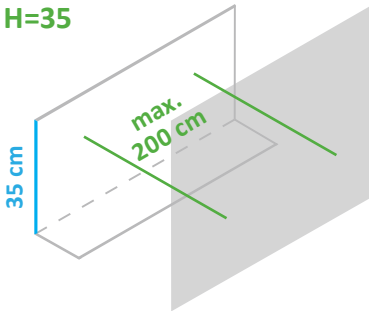
2x + + 10x



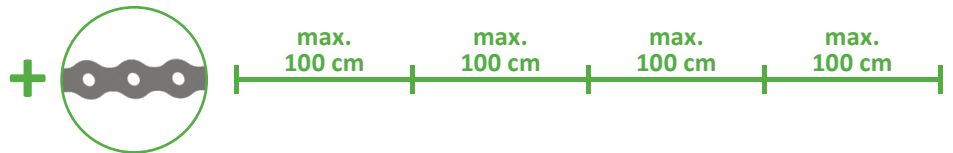
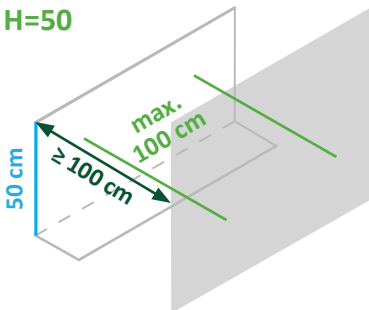




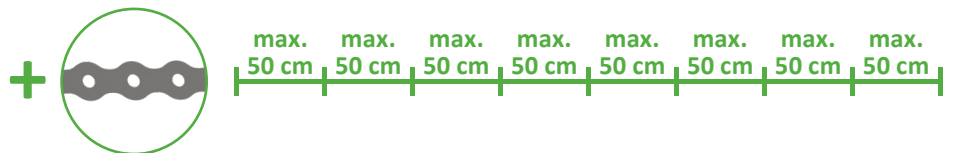
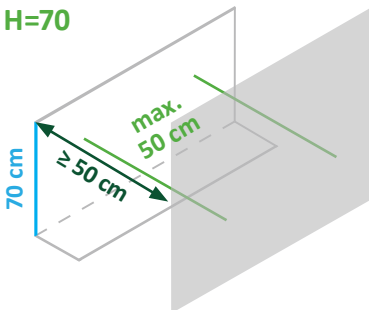
H=35



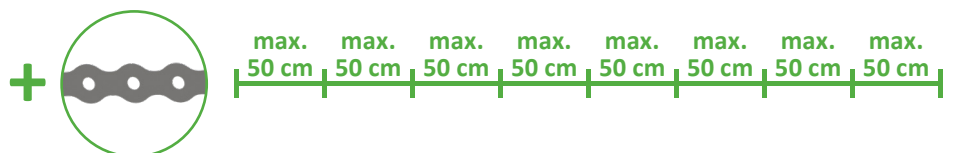
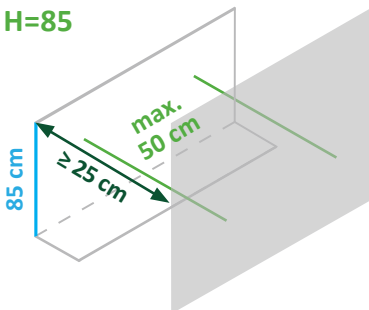
H=50

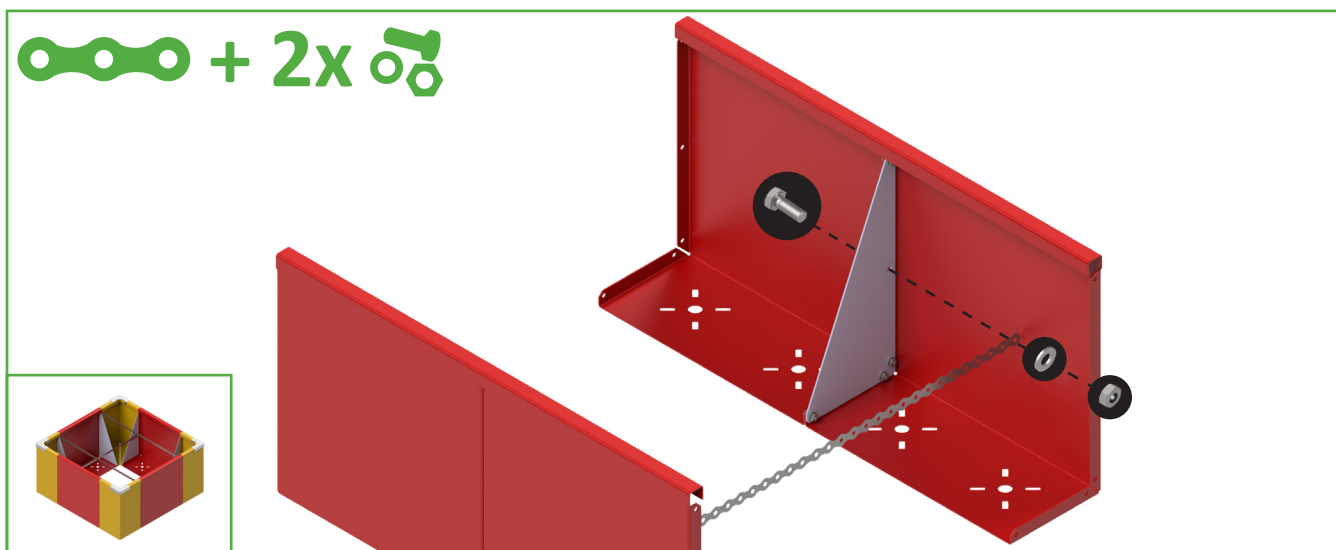


H=70

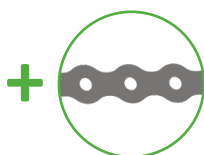
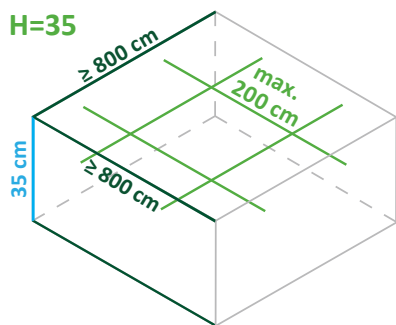


H=85

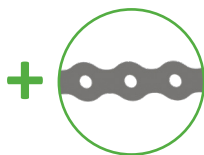
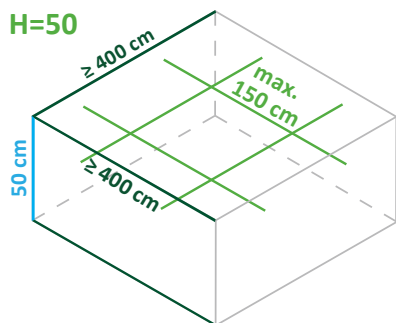




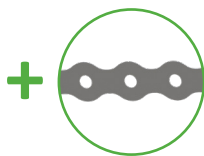
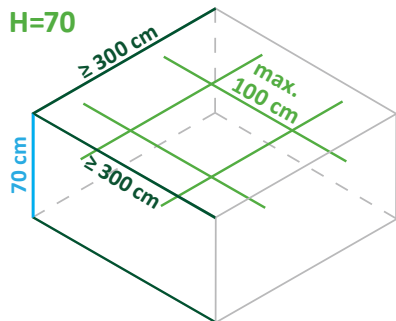
H=35



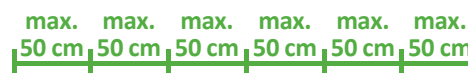
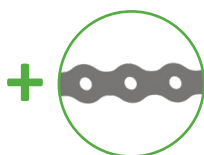
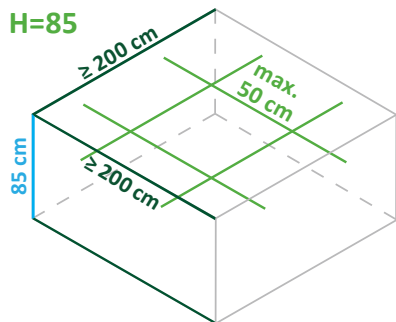
H=50

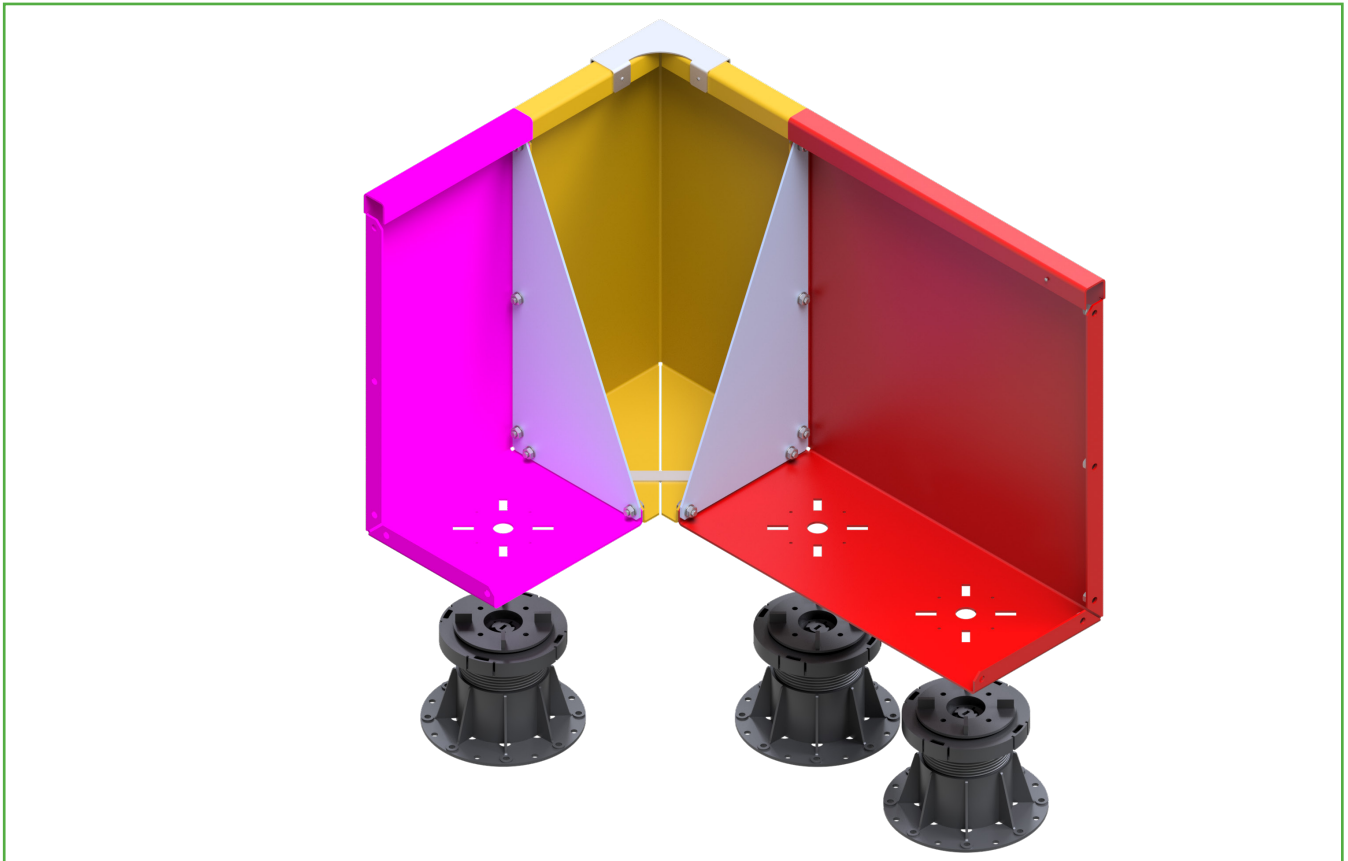
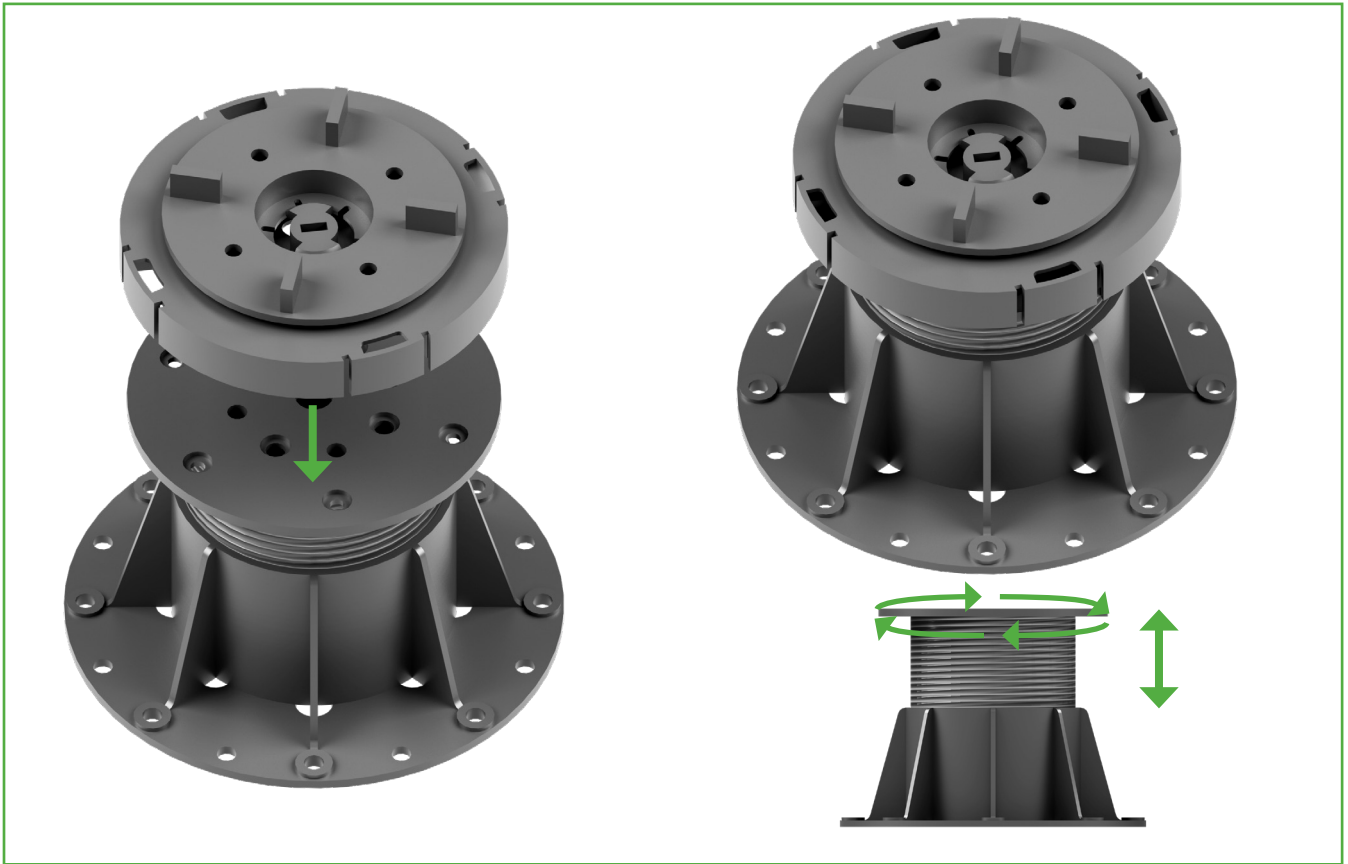


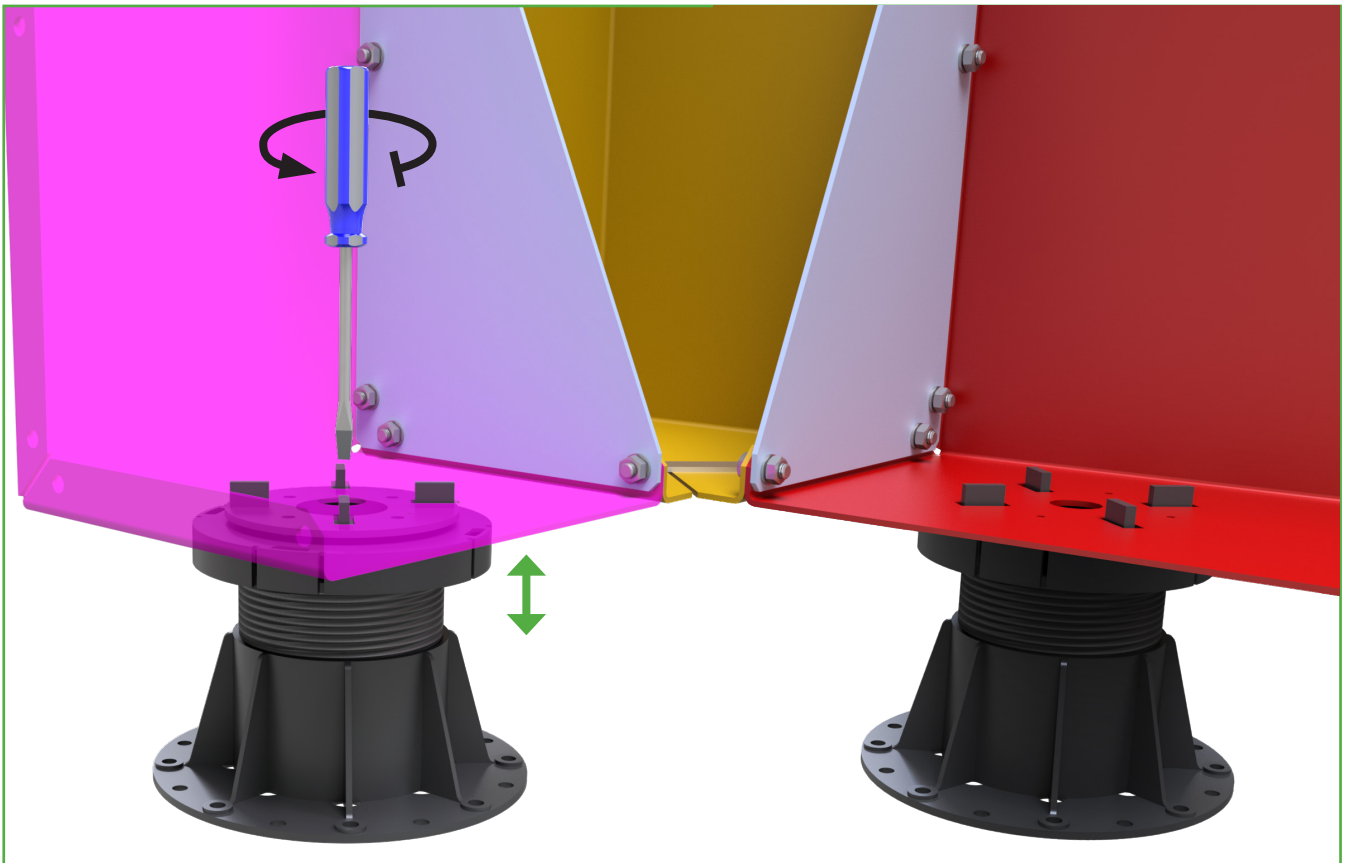
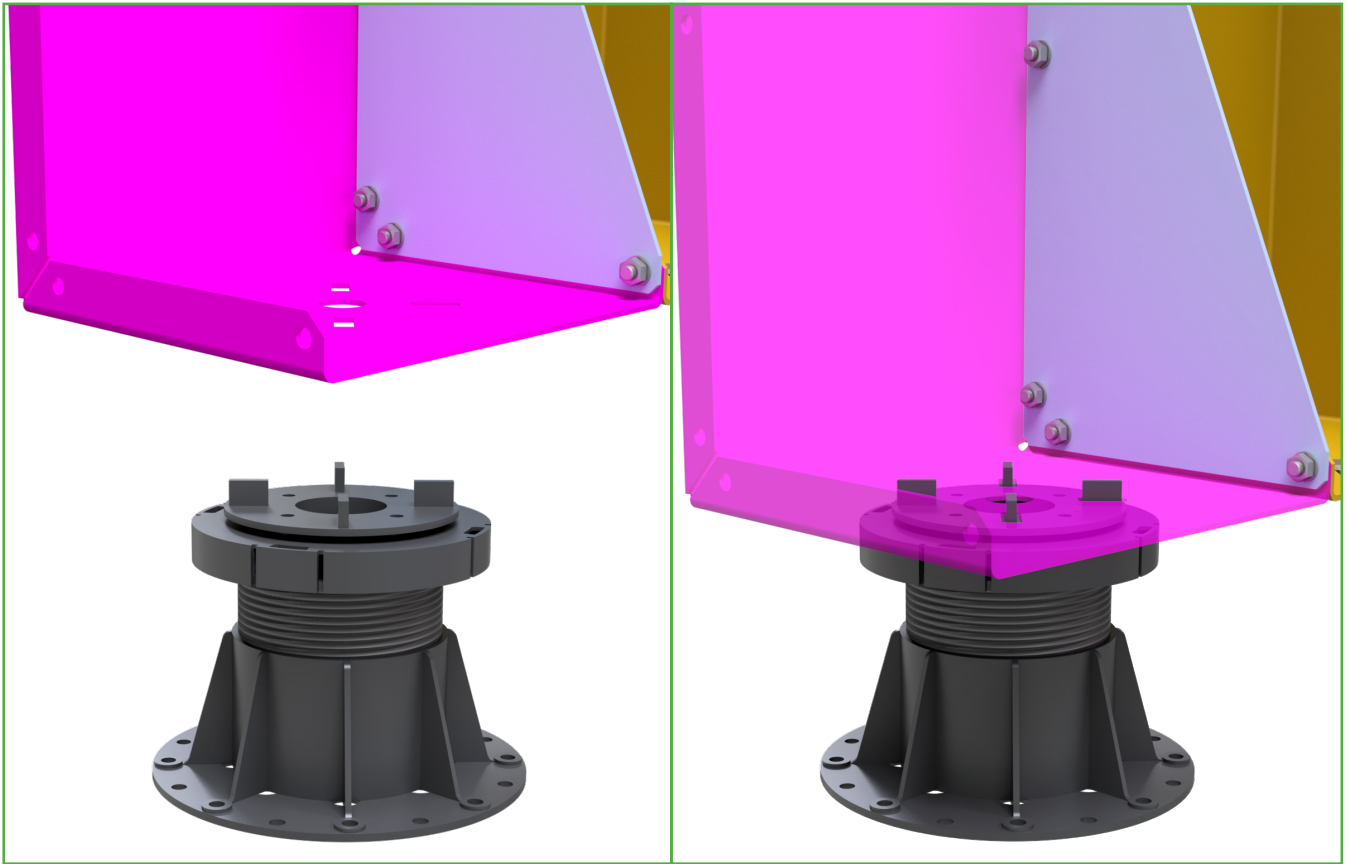
H=70

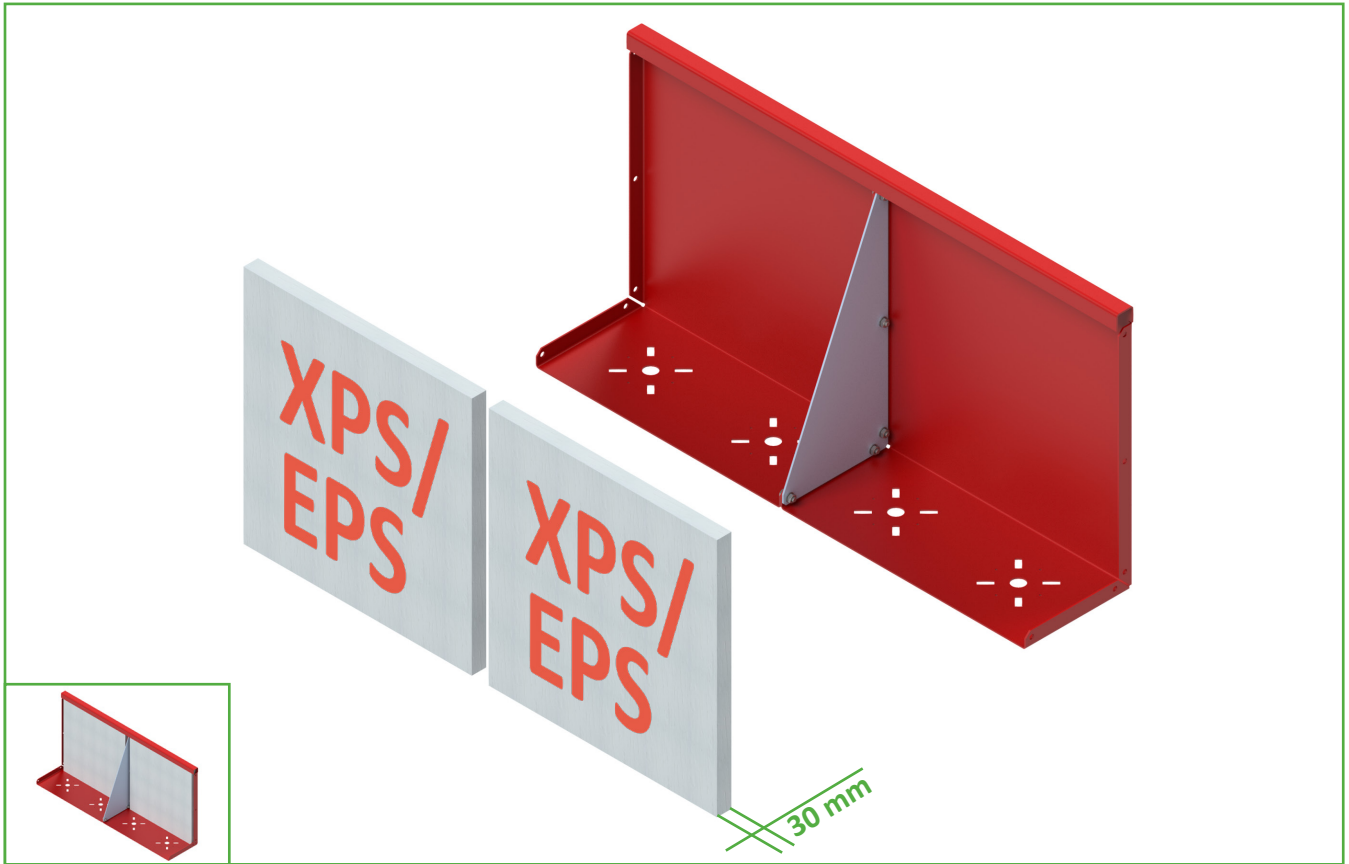


H=85











<p>35 cm</p> <p>25 cm 50 cm</p> <p>75 cm 100 cm</p>	<p>70 cm</p> <p>75 cm 100 cm</p>	<p>DIN 933 M8x20</p> <p>DIN 125 A 8,4 mm</p> <p>DIN 934 M8</p> <p>DIN 9680 4,2x13</p>
<p>50 cm</p> <p>25 cm 50 cm</p> <p>75 cm 100 cm</p>	<p>85 cm</p> <p>75 cm 100 cm</p>	<p>13 mm</p> <p>13 mm</p> <p>PH2</p>
<p>-90°</p> <p>35, 50, 70, 85 cm</p> <p>35, 50, 70, 85 cm</p> <p>135°</p>	<p>+90°</p> <p>35, 50, 70, 85 cm</p> <p>35, 50, 70, 85 cm</p> <p>135°</p>	<p>35 cm</p> <p>50 cm</p> <p>70 cm</p> <p>85 cm</p>



Gebrüder Graulich Baustoff GmbH & Co. KG
Höllweg 7, 65439 Flörsheim am Main